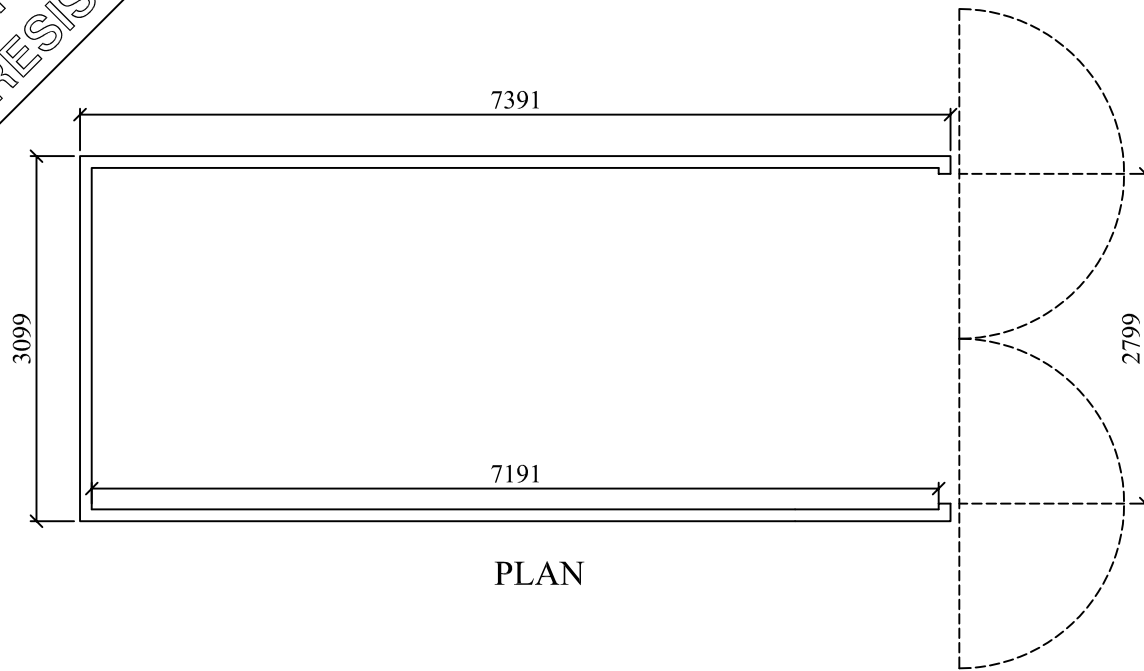
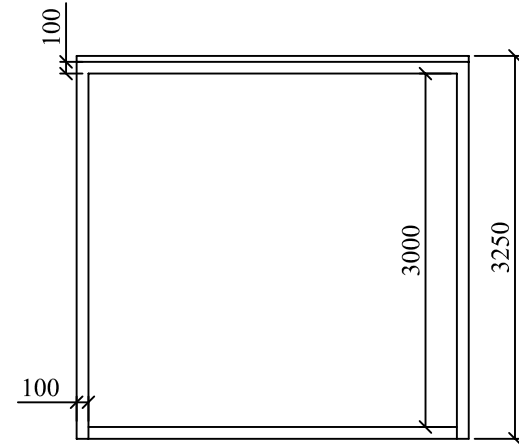


HIGHLY
SECURE
VANDAL RESISTANT

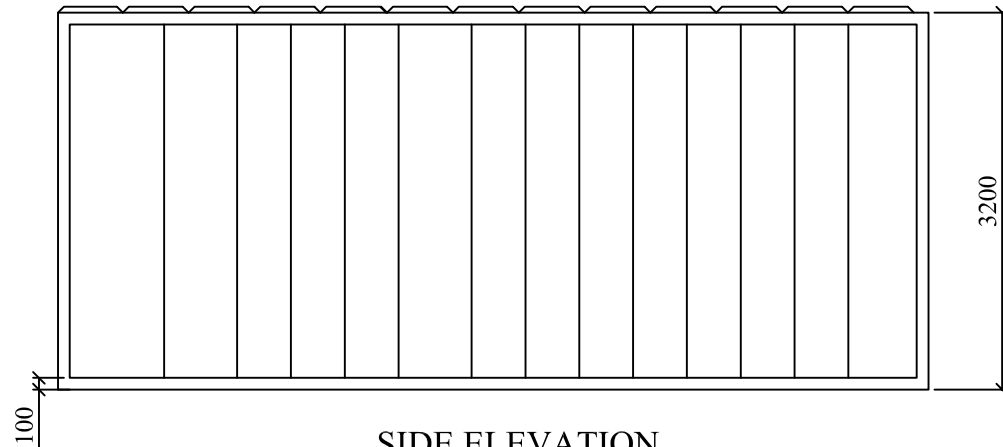


PLAN

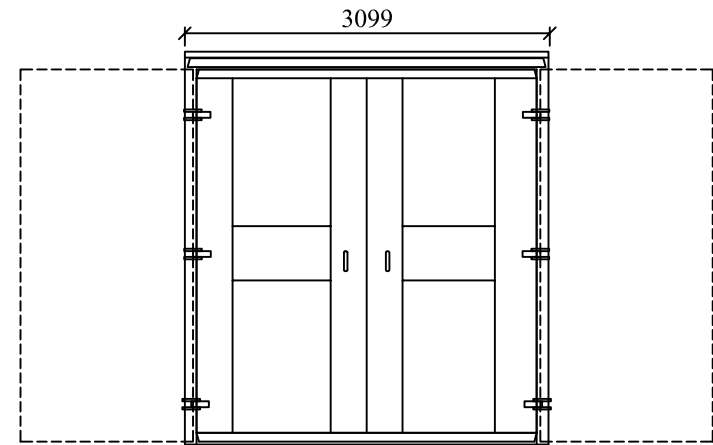


SITESAFE DOUBLE DOORS

SECTION



SIDE ELEVATION



END ELEVATION

DO NOT SCALE

REMOVE ALL
BURRS AND
SHARP EDGES

THIRD ANGLE
PROJECTION

REV No	DATE	BY	CUSTOMER
REV 1			
REV 2			
REV 3			
REV 4			

CLEVELAND
SITESAFE
LIMITED

RIVERSIDE WORKS
CLEVELAND
TS3 RAT
01642 244663

DRAWN
JWH
SCALE
DATE
01/06/2009

DESCRIPTION
LINK UNIT 108
DRG No LINK108WEB