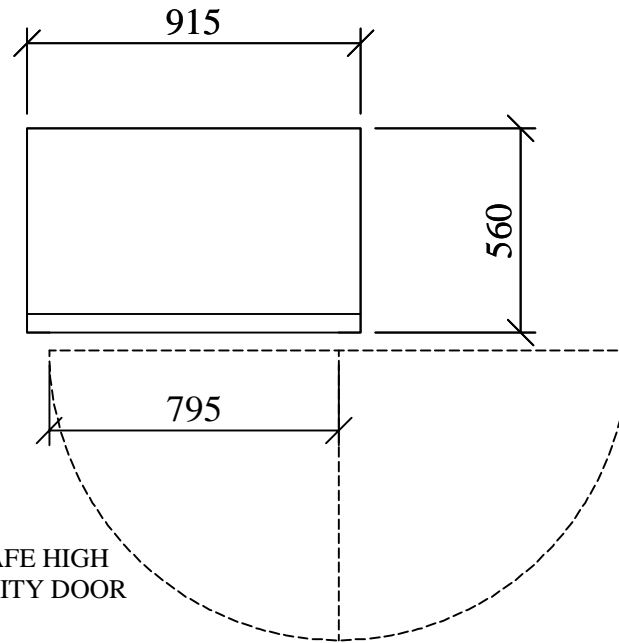
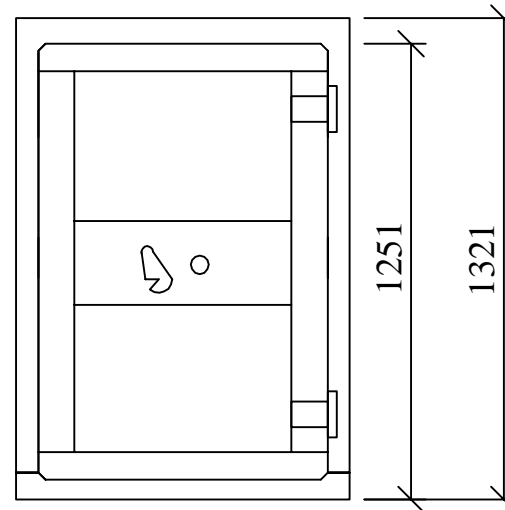


PLAN



SECTION



FRONT ELEVATION

| | | | | | | | |
|---------------------------------------------------------|----------------------------|-----------------------------|----------------------|----------------------------------------------------------------------------------------------------|------------------------------------|--------------------------------------------|-----------------------------------|
| DO NOT SCALE REMOVE ALL BURRS AND SHARP EDGES | THIRD ANGLE PROJECTION | REV No DATE | BY CUSTOMER | CLEVELAND SITESAFE LIMITED <small>RIVERSIDE WORKS CLEVELAND T33 SAT 01642 244663</small> | DRAWN JWH SCALE | DESCRIPTION WORKSHOP CABINET 332 | |
| | | REV 1 | | | DATE | DATE 10/06/2014 | DRG No JHWEBWORKSHOPC332 |
| | | REV 2 | | | DATE | | |
| | | REV 3 | | | DATE | | |
| REV 4 | DATE | | | | | | |